



Highway Wheels - Hub Piloted Wheels

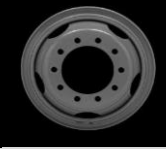
Definition- Hub Piloted wheels are designed to center on the hub at the bore of the wheel centered on the studs or bolt holes of the hub.


These wheels generally have straight through bolt holes (not tapered or chamfered), since the bolt holes only supply clearance for the stud. Hub Piloted wheel measurements are often referenced in millimeters (mm).


Hub Piloted wheels can easily be identified by straight, non-chamfered, and non-tapered bolt holes edges.

Steel	Tubeless	 <table border="1"> <tr> <td> 10 Hole - 285.75mm Bolt Circle - 220mm Pilot 19.5 X 7.50 22.5 X 7.50 22.5 X 8.25 Heavy Load 22.5 X 8.25 22.5 X 9.00 24.5 X 8.25 </td> </tr> </table>	10 Hole - 285.75mm Bolt Circle - 220mm Pilot 19.5 X 7.50 22.5 X 7.50 22.5 X 8.25 Heavy Load 22.5 X 8.25 22.5 X 9.00 24.5 X 8.25
10 Hole - 285.75mm Bolt Circle - 220mm Pilot 19.5 X 7.50 22.5 X 7.50 22.5 X 8.25 Heavy Load 22.5 X 8.25 22.5 X 9.00 24.5 X 8.25			

Aluminum	Tubeless	 <table border="1"> <tr> <td> 10 Hole - 285.75mm Bolt Circle - 220mm Pilot 19.5 X 7.5 19.5 X 8.25 22.5 X 7.50 22.5 X 8.25 24.5 X 8.25 Heavy Load 22.5 X 8.25 22.5 X 9.00 24.5 X 8.25 </td> </tr> </table>	10 Hole - 285.75mm Bolt Circle - 220mm Pilot 19.5 X 7.5 19.5 X 8.25 22.5 X 7.50 22.5 X 8.25 24.5 X 8.25 Heavy Load 22.5 X 8.25 22.5 X 9.00 24.5 X 8.25
10 Hole - 285.75mm Bolt Circle - 220mm Pilot 19.5 X 7.5 19.5 X 8.25 22.5 X 7.50 22.5 X 8.25 24.5 X 8.25 Heavy Load 22.5 X 8.25 22.5 X 9.00 24.5 X 8.25			

Steel	Tube-type	 <table border="1"> <tr> <td> 10 Hole - 285.75mm Bolt Circle - 220mm Pilot 20 X 8.0 </td> </tr> </table>	10 Hole - 285.75mm Bolt Circle - 220mm Pilot 20 X 8.0
10 Hole - 285.75mm Bolt Circle - 220mm Pilot 20 X 8.0			

Duplex (Wide Base)		<table border="1"> <tr> <td data-bbox="521 1308 695 1682"> Aluminum </td> <td data-bbox="695 1308 1299 1682"> Tubeless </td> </tr> </table>	Aluminum	Tubeless
Aluminum	Tubeless			
		<table border="1"> <tr> <td> 10 Hole - 285.75mm Bolt Circle - 220mm Pilot 22.5 X 12.25 22.5 X 13.00 22.5 X 14.00 </td> </tr> <tr> <td> 10 Hole - 335mm Bolt Circle - 281mm Pilot 22.5 X 11.75 </td> </tr> </table>	10 Hole - 285.75mm Bolt Circle - 220mm Pilot 22.5 X 12.25 22.5 X 13.00 22.5 X 14.00	10 Hole - 335mm Bolt Circle - 281mm Pilot 22.5 X 11.75
10 Hole - 285.75mm Bolt Circle - 220mm Pilot 22.5 X 12.25 22.5 X 13.00 22.5 X 14.00				
10 Hole - 335mm Bolt Circle - 281mm Pilot 22.5 X 11.75				

Steel	Tubeless	 <table border="1"> <tr> <td> 10 Hole - 285.75mm Bolt Circle - 220mm Pilot 22.5 X 12.25 22.5 X 13.00 22.5 X 14.00 </td> </tr> </table>	10 Hole - 285.75mm Bolt Circle - 220mm Pilot 22.5 X 12.25 22.5 X 13.00 22.5 X 14.00
10 Hole - 285.75mm Bolt Circle - 220mm Pilot 22.5 X 12.25 22.5 X 13.00 22.5 X 14.00			